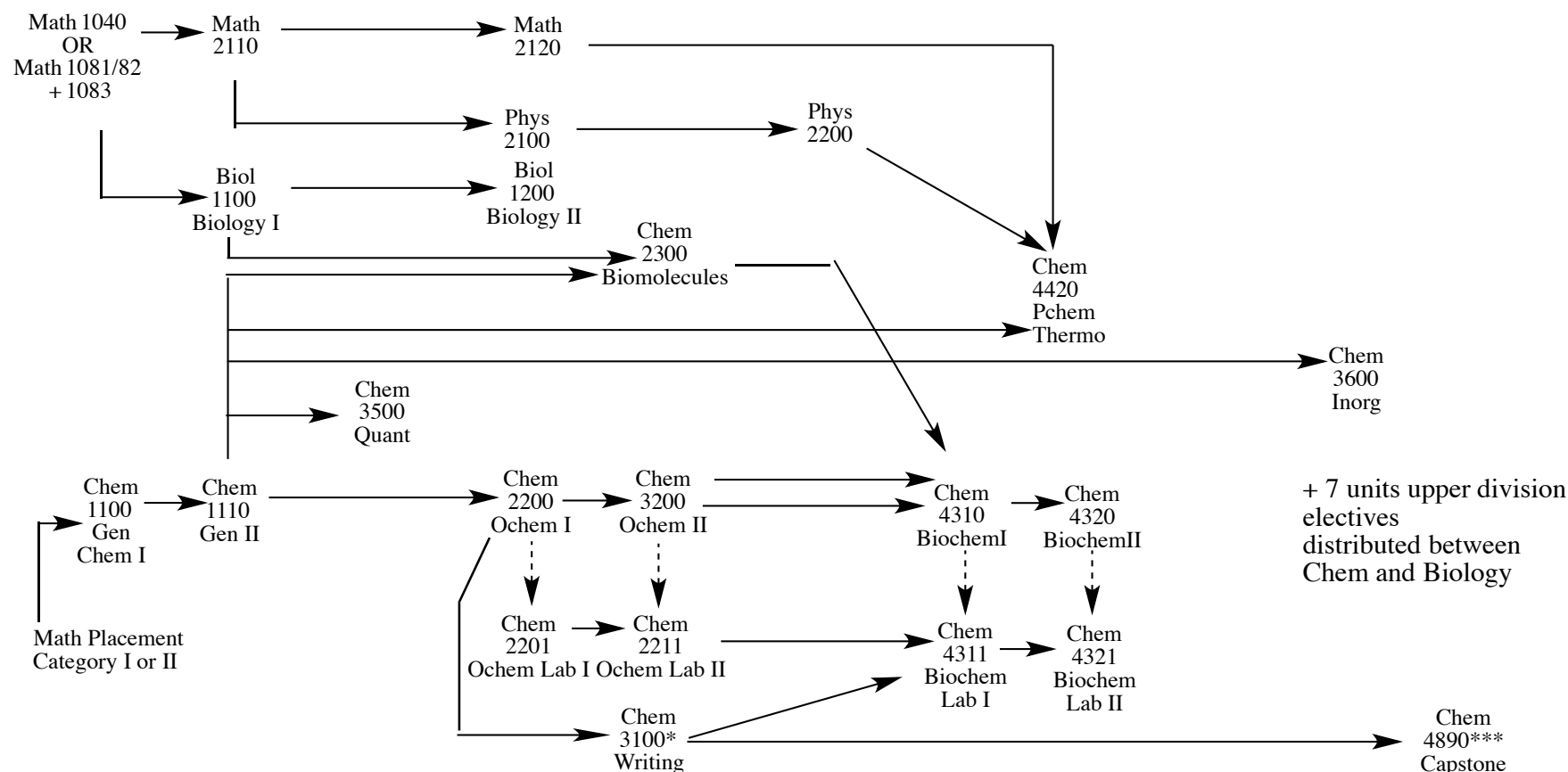


## ILLUSTRATION OF WHICH COURSES ARE PRE/CO-REQUISITES FOR OTHERS: BS BIOCHEMISTRY SEMESTERS



Solid arrows are pre-requisites (MUST be completed with a C- or better before taking the course)

Dashed arrows are co- or pre-requisites (MUST be completed with a C- or better before taking the course OR during the same term as the course)

\*Must earn a C or better to satisfy the university GVAR requirement

\*\*\*Also requires passing grade on the GVAR, completion of Blocks A and B4, an additional course from Block B, and at least one course each from blocks C and D.

Remember that if you are a BS Biochemistry major, you should NOT take lower division GE Biological Sciences; lower division GE Physical Sciences, or lower division GE quantitative reasoning because your major coursework satisfies these requirements. CHEM 4890 satisfies Upper division GE Block B.

Revised 6/19