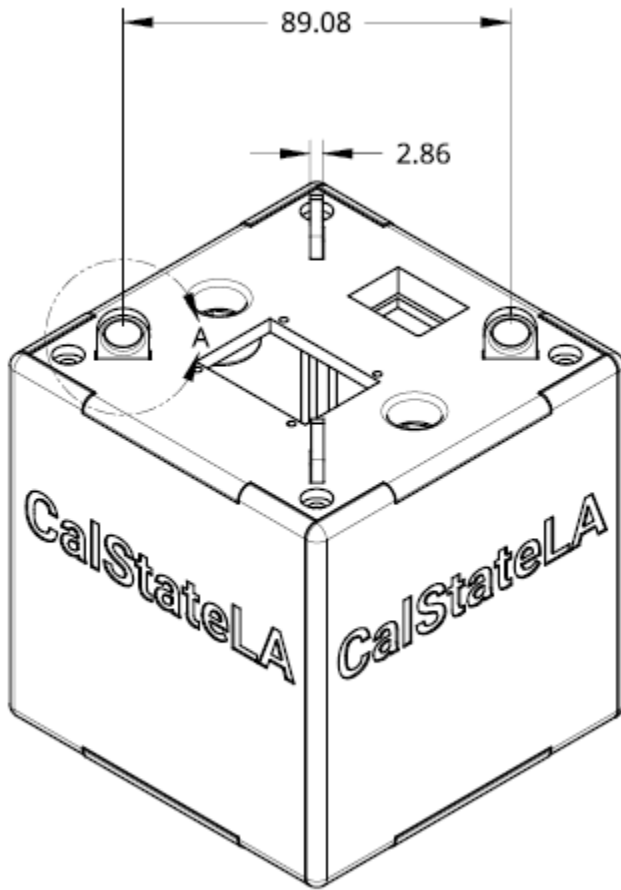


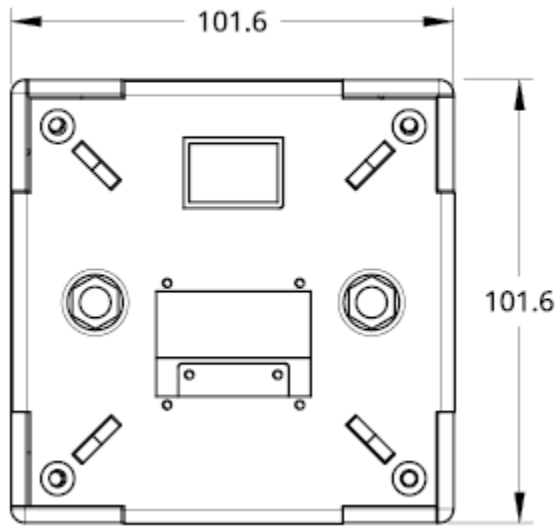
C UASC 2025 Cube Drawing



Isometric View of Cube

Distance between Tabs is 89.08 millimeters

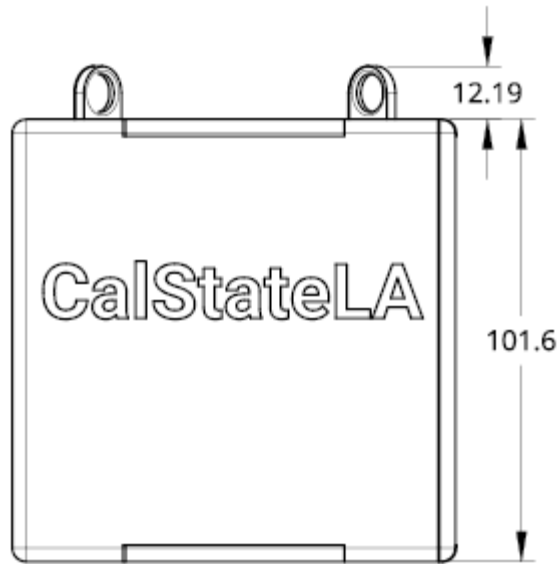
Cube corners are beveled over 2.86 millimeters



Top Orthographic View of Cube

Shows Tabs along with screen and fasteners.

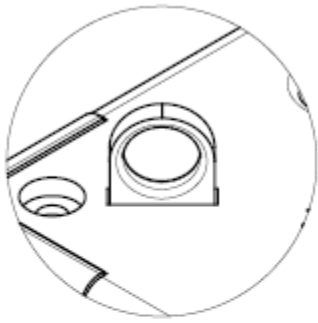
Provides outer dimensions of 101.6 millimeters along each edge of Cube



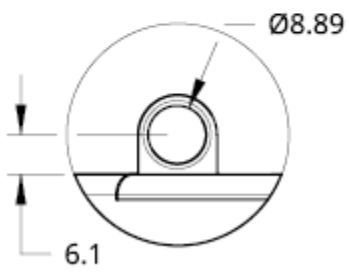
Front Orthographic View of Cube

Indicates Cube height to be 101.6 millimeters

Indicates Tab height to be 12.19 millimeters



DETAIL A



Detail of Cube Tab

Isometric detail shows placement at Cube corner.

Orthographic detail indicates diameter of Tab hole to be 8.89 millimeters and center of Tab hole to be 6.1 millimeters above the top surface of the Cube.