

BS Business Administration Requirements

University Requirements

GE Theme
(3 classes)
+
2 Diversity (d)

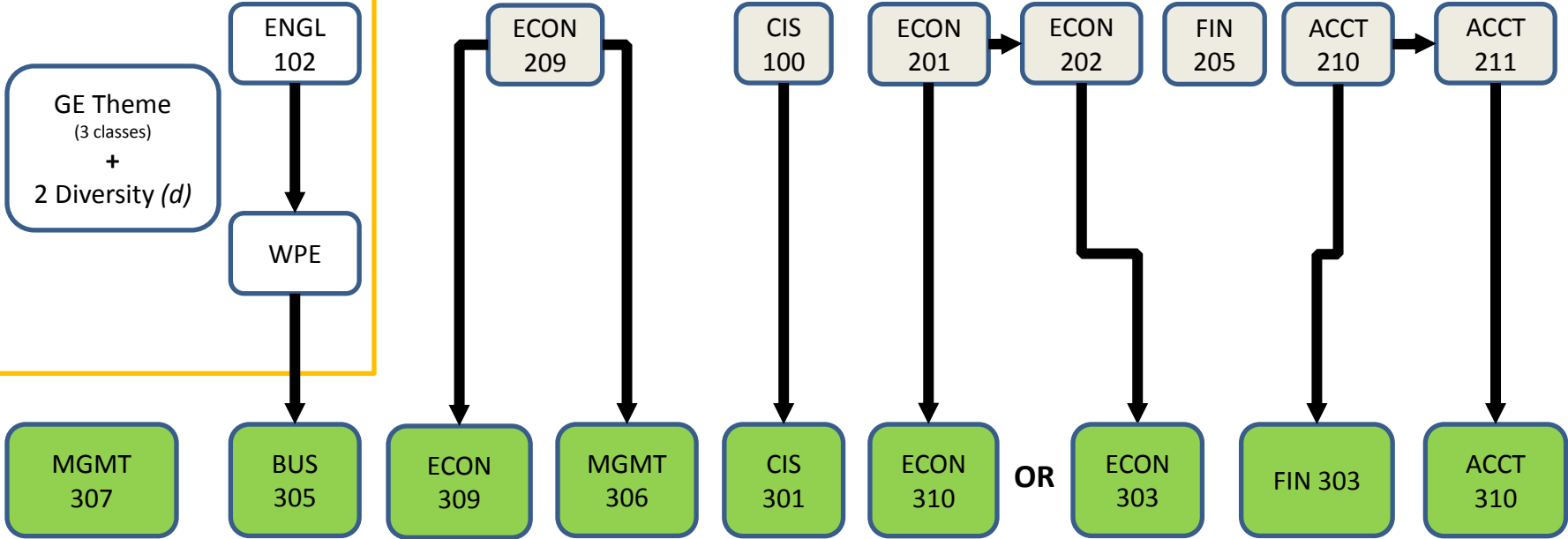
ENGL
102

↓

WPE

↓

BUS
305



MGMT
308

MKT 304

MGMT 497
(May only be taken after all other
core classes have been completed)

Option Courses

Please note that an additional 7 or 9 classes (28 or 36
units) for the option are not included in this flow chart.

BS Computer Information Systems Requirements

University Requirements

GE Theme
(3 classes)
+
2 Diversity (d)

ENGL 102

↓

WPE

↓

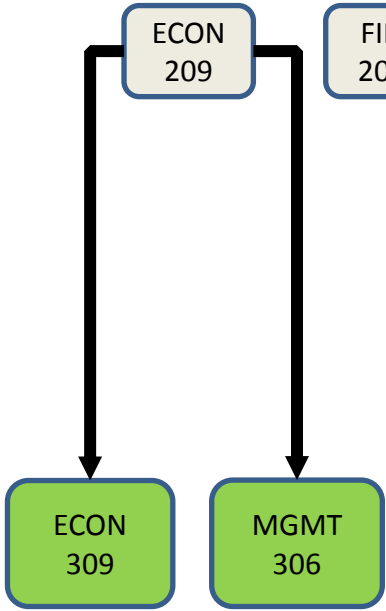
BUS 305

MGMT 307

MGMT 308

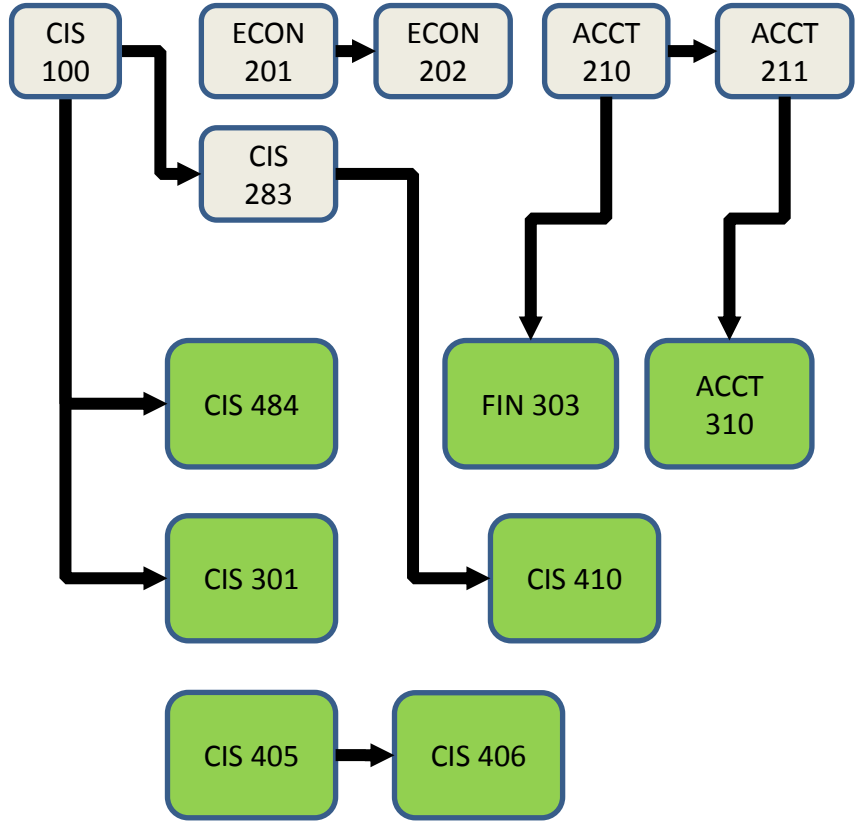
MKT 304

BUS 305



CIS 490

(May only be taken after all other core classes have been completed)



Option Courses

Please note that an additional 5 classes (20 units) for the option are not included in this flow chart.

BA Economics Requirements Opt: Applied Economics

University Requirements

GE Theme
(3 classes)
+
2 Diversity (d)

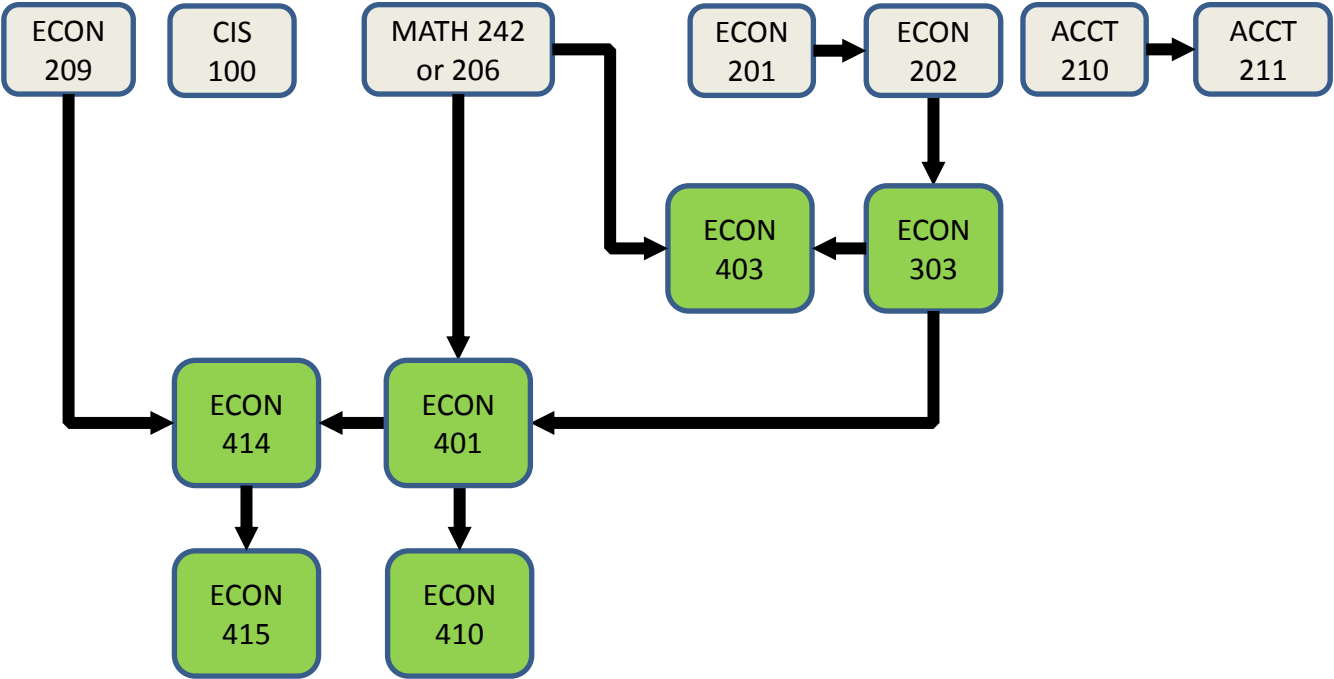
ENGL 102

↓

WPE

↓

BUS 305
or
ENGL 306



ECON 491
(May only be taken after all other core classes have been completed)

Elective Courses
Please note that an additional 7 classes (28 units) for the electives are not included in this flow chart.

BA Economics Requirements Opt: Social & Behavioral Economics

University Requirements

GE Theme
(3 classes)
+
2 Diversity (d)

ENGL 102

↓

WPE

↓

BUS 305
or
ENGL 306

ECON 209

ECON 309

MATH 242
or 206

ECON 201

ECON 310

ECON 403

ECON 410

ECON 202

ECON 303

ACCT 210

ACCT 211

ECON 401
(Not a required class, but needed for ECON 410 prerequisite. Can be used as 1 Elective)

Elective Courses

Please note that an additional 9 classes (36 units) for the electives are not included in this flow chart.

Select Two In This Box: